



series 3001

BOOM TRUCKS

features

- 30 Ton (27,3 mton) Capacity
- 4-Section 102' (31 m) Proportional Boom
- 2-Section, 26' (7,9 m) to 46' (14 m) Jib
- 112' (34,1 m) Maximum Main Boom Tip Height
- 157' (47,8 m) Maximum Tip Height
- 21' 6" (6,6 m) A-frame Outriggers
- 13' 7" (4,1 m) Out-and-Down Rear Stabilizers
- 2-Speed Planetary Hoist with Grooved Drum and Negative Draft Flange
- Load Moment Indicator with Digital Display, CAN Bus, Overload Shutdown and Internal Boom Length Cable
- Radio ATB
- Rugged, Weatherproof Electrical System with Circuit Status LEDs
- Removable Boom Rest
- System Pressure Gauge
- Clamp-On Mounting
- Aeroquip STC (Snap to Connect) Hydraulic Fittings
- Manitex UPTIME Comprehensive Support



product guide

series 3001

GENERAL SPECIFICATIONS

INQUIPCO

www.inquipco.com | 800-598-3465

BOOM

Booms – Inverted T-cross section, 4-section telescoping type, extended and retracted proportionally by a double-acting hydraulic cylinder and cable-crowd system. Easily replaceable and adjustable high-density nylon slide pads.

30102 – 4-Section 30' 6" (9,3 m) to 102' (31 m). 2-section, 26' (7,9 m) to 46' (14,0 m) jib.

Quick Reeve Boom Point – Two high-density nylon load sheaves mounted on heavy-duty roller bearings. Two removable pin-type rope guards.

Boom Elevation – Double-acting hydraulic cylinder. Working range from 9P below horizontal to 80.6P above.

Load Hook – 5-ton (4,5 mton) capacity hook with heavy-duty swivel and weight is provided for single-line operation.

HOIST

Hoist – Maximum theoretical line speed 247 fpm (75,3 mpm). Maximum theoretical bottom-layer line pull 11,500 lb (2 227 kg). Two-speed planetary reducer. Wet multi-disc internal brake is spring-applied, pressure-released.

Wire Rope – 335' (102,1 m) of 9/16" (14,3 mm) rotation resistant type.

SWING SYSTEM

Externally mounted, double-reduction planetary driven by hydraulic motor. Maximum theoretical swing speed 1.5 rpm. Spring-applied, pressure-released parking brake. Ball-bearing swing circle with external gear. 372P non-continuous rotation.

OUTRIGGERS

A-frame link type with double-acting hydraulic cylinders operated independently for precise leveling. Bubble level located near outrigger controls.

STABILIZERS

Underframe out-and-down type with double-acting hydraulic cylinders operated independently for precise leveling.

MOUNTING

Mounting – Pedestal and subframe are mounted to chassis by threaded rods and clamp plates. No welding, drilling, or bolting to truck frame is required.

Subframe – Torsionally resistant, rigid 4-plate design. Mounted under crane full length of truck frame.

Rear Underride Protection – Supplied on factory-mounted cranes. Fabricated structure mounted under rear of bed. Complies with Bureau Motor Carrier Safety Standard 393.86.

Boom Rest – Heavy-duty fabrication. Easily removed to simplify loading and unloading truck deck.

CONTROL SYSTEM

Dual operator platforms are equipped with four single-lever crane controls arranged to ANSI B30.5 standards. Fully proportional control valves and system pressure gauge. Each station also includes outrigger and stabilizer controls, engine start/stop, foot throttle, signal horn, boom-angle indicator, bubble levels, beverage container, load chart, and range diagram.

HYDRAULICS

Hydraulic System – A 3-section gear pump direct-mounted to power take-off on truck transmission provides 32 gpm (133 lpm) to the hoist, 8 gpm (30 lpm) to the swing circuit and 21 gpm to the other crane functions. 70-gallon baffled reservoir includes suction ball valve with strainer two 25-micron filters in the return line. Use of SAE O-ring and face seal O-ring hydraulic fittings throughout system. Aeroquip STC (Snap-to-Connect) on all hoses up to 1" virtually eliminates leaks.

Hydraulic Cylinders – All load-holding cylinders are equipped with integral holding valves.

WARNING SYSTEMS

Load Moment Indicator – CAN bus system maximizes expansion capabilities. Senses boom hoist cylinder pressure, boom length and boom angle.

Audio-visual warning indicated overload conditions and overload shutoff feature prevents continuing overload. Operator can access all relative crane configuration and load conditions via display at the operator station. Internal boom length cable.

Radio Anti-Two-Block System – Audible warning and shutoff functions prevent hook from contacting boom point. Wireless system minimizes down time typically associated with damaged cables in wired systems.

Back-Up Alarm – Supplied on factory-mounted cranes, electronic audible motion alarm activated when truck transmission is in reverse gear.

GENERAL

Electrical – State-of-the-art, weather-resistant components throughout. Hermetically sealed power in relays. Enclosure includes power in relays and circuit status LEDs. Designed to withstand high pressure washing and varying climates.

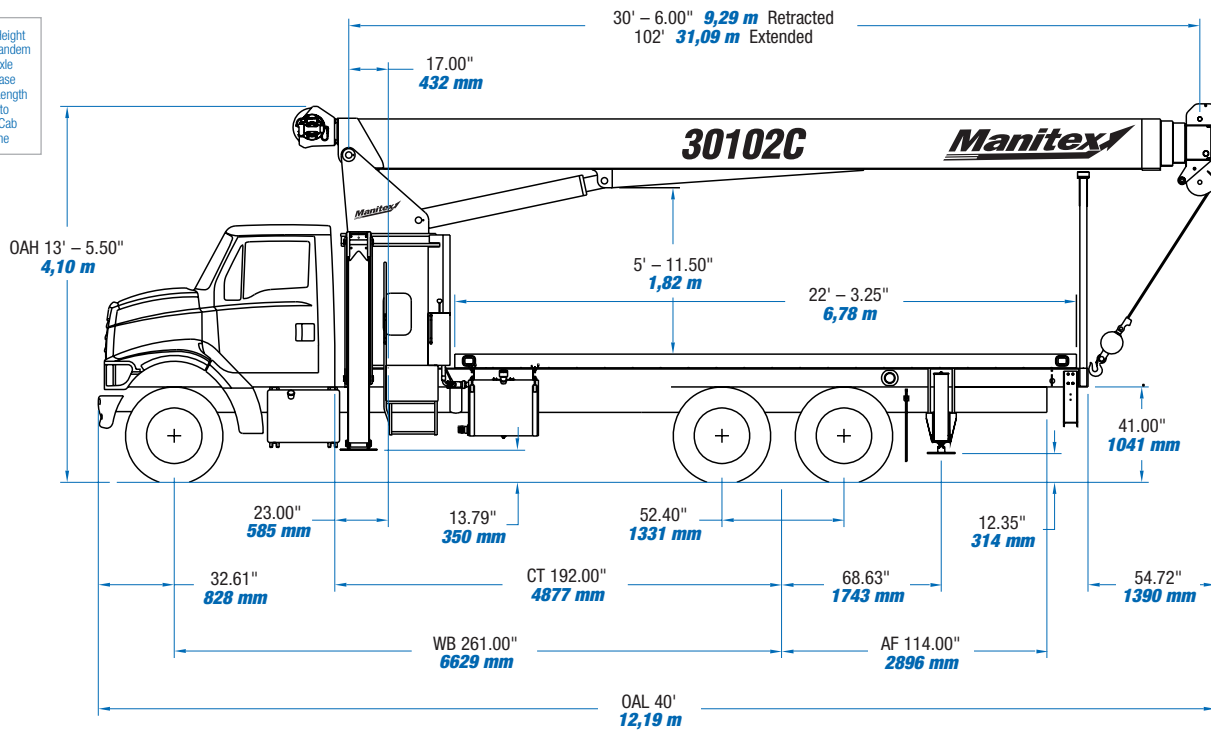
Design/Welding – Design conforms to ANSI B30.5. Welding conforms to AWS D1.1. Tested to SAE 1063 and SAE 765.

Manuals – Operator, service and parts manuals depict correct crane operation, maintenance procedures and parts listing.

Warranty – 12-month warranty covers parts and labor resulting from defects in material and workmanship.

* In order to ensure continuous improvement, specifications may change without notice.

OAH Overall Height
 CT Cab to Tandem
 CA Cab to Axle
 WB Wheel Base
 OAL Overall Length
 BBC Bumper to Back of Cab
 AF Afterframe

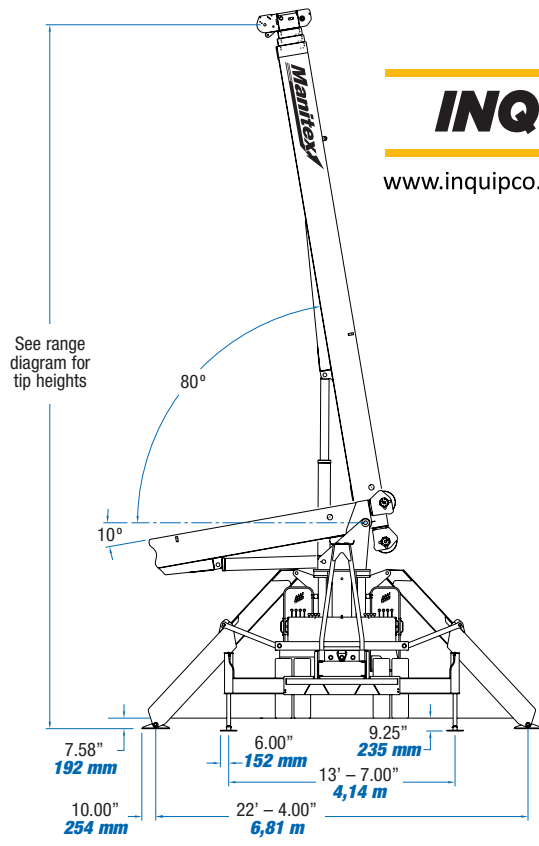


CHASSIS DATA	30102C
Wheelbase (WB)	253" 6 426 mm
Cab to Tandem (CT)	184" 4 673 mm
After Frame (AF)	114" 2 895 mm
Frame Section Modulus at 180° Area of Operation	30.0 in³ 110,000 psi 758 422 kPa
Frame Section Modulus at 360° of Operation	30.0 in³ 110,000 psi 758 422 kPa
Front Axle Gross Weight Rating	18,000 lb 8 181 kg
Rear Axle Gross Weight Rating	34,000 lb 15 422 kg
Minimum Truck Axle Weight - Front**	8,400 lb 3 818 kg
Minimum Truck Axle Weight - Back**	8,400 lb 3 818 kg
Nominal Frame Width	34" 864 mm

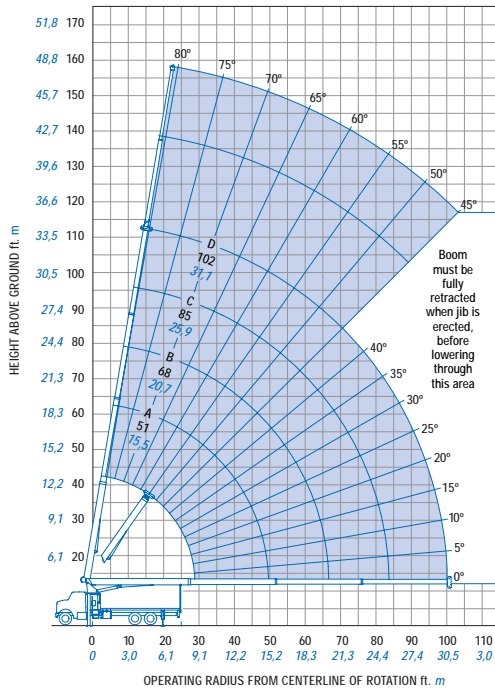
*Frame section modulus at 360P area of operation requires front bumper stabilizer.
 **Minimum chassis weight is required to meet 85% stability requirements.
 Chassis data is general - not for engineering. Some dimensions depend on truck selection.

MAXIMUM TIP HEIGHT	30102C
Configuration	Boom 102' 31 m
Extended Boom	112' 33,9 m
Fixed or Retracted Jib	137' 42 m
Extended Jib	157' 48 m

WEIGHTS	30102C
Total Crane - Standard	20,462 lb 9 282 kg
Total Crane - Out-and-Down Outriggers	24,612 lb 11 164 kg
22' (6,71 m) Flat Bed	2,000 lb 907 kg
26' (7,93 m) Fixed Length Jib	832 lb 377 kg
26' - 46' (7,93 m - 14,02 m) Telescopic Jib	1,226 lb 556 kg



INQUIPCO
 www.inquipco.com | 800-598-3465



INQUIPCO

www.inquipco.com | 800-598-3465

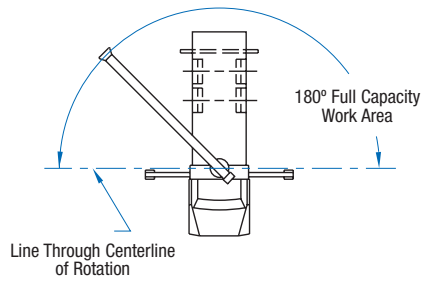
OUTRIGGERS AND STABILIZERS EXTENDED: MODEL 30102C

MAIN BOOM LOAD RATINGS											JIB LOAD RATINGS						
Operating Radius	Boom Length		A		B		C		D		Fixed Jib		Telescopic Jib				
	30.5 Feet 9,29 Meters		51 Feet 15,54 Meters		68 Feet 20,72 Meters		85 Feet 25,90 Meters		102 Feet 31,08 Meters		26 Feet 7,92 Meters		26 Feet 7,92 Meters		46 Feet 14,02 Meters		
Feet Meters	lb. kg.		lb. kg.		lb. kg.		lb. kg.		lb. kg.		lb. kg.		lb. kg.		lb. kg.		
5 1,52	80°	60,000 27 272															
8 2,43	75°	39,690 18 040															
10 4,04	71°	33,510 15 231	79	22,500 10 227													
12 3,65	67°	29,120 13 236	77	22,500 10 227													
15 4,57	60°	24,440 11 109	73	21,710 9 868	79	20,590 9 359											
20 6,09	48°	19,280 8 763	67	16,910 7 686	74	15,830 7 195	78	14,420 6 554	81	10,500 4 772							
25 7,62	33°	15,480 7 036	61	13,850 6 295	70	12,840 5 836	75	12,180 5 536	78	9,650 4 386	81	5,300 2 409	81	5,100 2 318			
30 9,14			54	11,700 5 318	65	10,770 4 895	72	10,140 4 609	76	8,670 3 940	79	5,300 2 409	79	5,100 2 318	81	3,050 1 386	
35 10,66			47	9,770 4 440	60	9,240 4 200	68	8,640 3 927	73	7,670 3 486	77	4,990 2 268	77	4,730 2 150	79	3,050 1 386	
40 12,19			38	7,510 3 413	55	7,720 3 509	64	7,490 3 404	70	6,490 2 950	75	4,580 2 081	75	4,310 1 959	77	3,050 1 386	
45 13,71			27	5,910 2 686	50	6,110 2 777	60	6,220 2 827	66	5,590 2 540	72	4,190 1 904	72	3,910 1 777	76	3,050 1 386	
50 15,24					43	4,920 2 236	56	5,030 2 286	63	4,860 2 209	70	3,830 1 750	70	3,550 1 613	74	2,910 1 322	
55 16,76					36	3,990 1 813	51	4,100 1 863	60	4,160 1 890	68	3,480 1 581	68	3,110 1 413	72	2,740 1 245	
60 18,28					28	3,250 1 477	47	3,360 1 527	56	3,420 1 554	65	3,020 1 372	65	2,670 1 213	70	2,590 1 177	
65 19,81					15	2,630 1 195	41	2,760 1 254	53	2,820 1 281	63	2,630 1 195	63	3,200 1 036	68	2,410 1 095	
70 21,33							36	2,250 1 022	49	2,320 1 054	60	2,310 1 050	60	1,950 886	66	2,130 968	
75 22,86							29	1,820 827	45	1,890 859	57	2,010 913	57	1,670 759	63	1,880 854	
80 24,38							19	1,450 659	40	1,530 695	54	1,640 745	54	1,340 609	61	1,610 731	
85 25,90									36	1,210 550	51	1,320 600	51	1,030 468	59	1,400 636	
90 27,43									29	930 422	48	1,050 477	48	750 340	56	1,200 545	
95 28,96									22	690 313	45	800 363	45	500 227	54	970 440	
100 30,48											42	580 263			51	750 340	
105 32,00															48	550 250	
	490 222	290 131	220 100	180 81	150 68	Deductions: Stowed Fixed Jib											
	730 331	440 200	330 150	260 118	220 100	Deductions: Stowed Telescopic Jib											

Meets ANSI B30.5 Requirements - Do not operate crane or accessories within 10' (3.05m) of live power lines.

NOTICE: This chart is for reference only and must not be used for lifting purposes. Consult factory for other boom options.

AREA OF OPERATION



DEDUCTIONS

Auxiliary Block	50 lb 22.72 kg
Auxiliary Block	50 lb 22.72 kg
Load Block	See block manufacturer nameplate
Overhaul Ball	See overhaul ball manufacturer nameplate
Hose Reel	140 lb 63.64 kg
Swing Around Jib* (Stowed)	See load rating chart

INQUIPCO

www.inquipco.com | 800-598-3465

WEIGHTS

1 Part Line	2 Part Line	3 Part Line	4 Part Line	5 Part Line	6 Part Line	7 Part Line	WARNING
							<p>Anti-two-block system must be in good operating condition before operating crane. Refer to the owner's manual. Keep at least three wraps of load line on the drum at all times.</p> <p>.5625" rot resistant (5.0:1 SF) - 37000 lb. min. breaking strength</p> <p>.5625" 6 x 25 IWRC (3.5:1 SF) - 29750 lb. min. breaking strength</p>
8,500 lb 3 864 kg	17,000 lb 7 727 kg	25,500 lb 11 591 kg	34,000 lb 15 455 kg	42,500 lb 19 318 kg	51,000 lb 23 182 kg	60,000 lb 27 273 kg	
7,400 lb 3 364 kg	14,800 lb 6 727 kg	22,200 lb 10 091 kg	29,600 lb 13 455 kg	37,000 lb 16 818 kg	44,400 lb 20 182 kg	51,800 lb 23 545 kg	

BOOM AND JIB COMBINATIONS

30102C

102'

4 - Section Boom

26' - 46' 2 - Section Jib



UPTime is the Manitex commitment to complete support of thousands of units working every day.

INQUIPCO

UPTime

www.inquipco.com | 800-598-3465

- Includes 24-7-365 parts shipments.
- Utilizes the efficiency of UPNet online parts order system.
- Relies on Manitex's UPTrak support tracking system for performance analysis and resource allocation.
- Features REMan, Manitex's cost effective rebuild/exchange program.
- Provides expert service technicians for troubleshooting and site visits.
- Mandates training; at our facility and yours. It includes coordinated support from all component suppliers.
- Involves every Manitex team member in the support of every Manitex customer.

What does UPTime mean to Manitex customers?

UPTime means reliability.

UPTime means utilization.

UPTime means profitability.

INQUIPCO

Las Vegas • San Bernardino

RENTALS / SALES / PARTS / SERVICE

1-800-598-3465

LAS VEGAS

2730 N. HELLIS BLVD.

LAS VEGAS, NV 89115

SAN BERNARDINO

1185 E. COOLEY AVENUE

SAN BERNARDINO, CA 92408

WWW.INQUIPCO.COM

Manitex
MOVING FORWARD FASTER

Manitex
3000 South Austin Avenue
P.O. Box 1609
Georgetown, TX, USA 78627-1609
Telephone 512-942-3000
Facsimile 512-863-3776
www.manitex.com

MTX 3001 • 09.03 • TG • 2,000