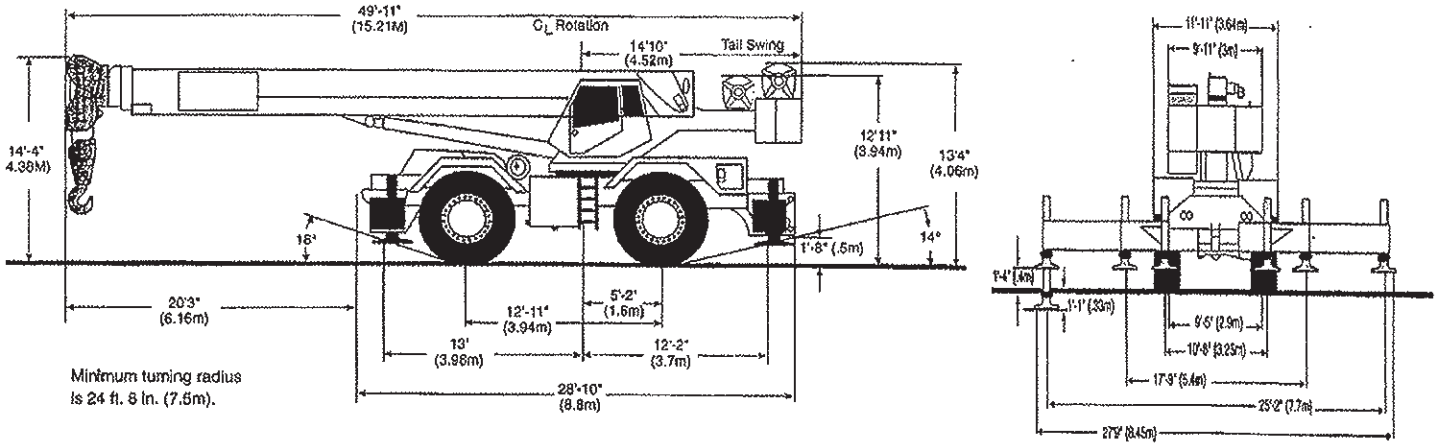


GENERAL DIMENSIONS



WEIGHTS & AXLE LOADS	GROSS WEIGHT	UPPER FACING FRONT		GROSS WEIGHT	UPPER FACING FRONT	
	LBS.	FRONT	REAR	KG.	FRONT	REAR
Basic Machine RT1100 with boom, Counterweight and tires.	129,841	56,052	73,789	58,896	25,284	33,612
Removable Counterweight	-23,810	-14,364	38,174	10,800	-6,516	17,316
Boom	- 34,489	+ 48,625	-14,136	+ 15,644	+ 22,056	-6,412
33.25X29 Standard Tires	-8,664	4,332	-4,332	-3,124	-1,562	-1,562
Add Options:						
Bi-Fold Lattice Extension (Stowed)	+ 2,437	+4,735	-2,298	+ 1,105	+ 2,148	-1,042
Auxiliary Boom Head	+ 220	+ 695	-475	+ 100	+ 315	-216
Auxiliary Winch Controls and Plumbing Only	+ 75	+ 0	+ 75	+ 34	+ 0	+ 34
Auxiliary Winch Wire Rope.	+ 750	- 334	+ 1,084	+ 340	- 152	+492
100 ton 6-Sheave Hook Block (travel)	+ 1,735	+5,283	-3,548	+ 787	+ 2,397	-398
9.2T Hook and Ball (boom)	+ 722	+ 2,320	-1,598	+ 327	+ 1,052	-725
Pintle Hook: Rear	+ 45	-19	+64	+ 20	-9	+64

NOTE: Weights are for factory supplied equipment and are subject to 2% variation due to manufacturing tolerances.

WE RESERVE THE RIGHT TO AMEND THESE SPECIFICATIONS AT ANY TIME WITHOUT NOTICE, THE ONLY WARRANTY APPLICABLE IS OUR STANDARD WRITTEN WARRANTY APPLICABLE TO THE PARTICULAR PRODUCT AND SALE. WE MAKE NO OTHER WARRANTY, EXPRESSED OR IMPLIED.

Terex Cranes, Inc., PO Box 260002, Conway, SC 29528, Phone: (843)349-6900
 TX1100-Rev00 E-mail: inquire@terexlifting.com - www.terexlift.com

INQUIPCO
Las Vegas • San Bernardino

RENTALS / SALES / PARTS / SERVICE

1-800-598-3465

LAS VEGAS 2730 N. HELIX BLVD. LAS VEGAS, NV 89115

SAN BERNARDINO 1185 E. COOLEY AVENUE SAN BERNARDINO, CA 92408

WWW.INQUIPCO.COM